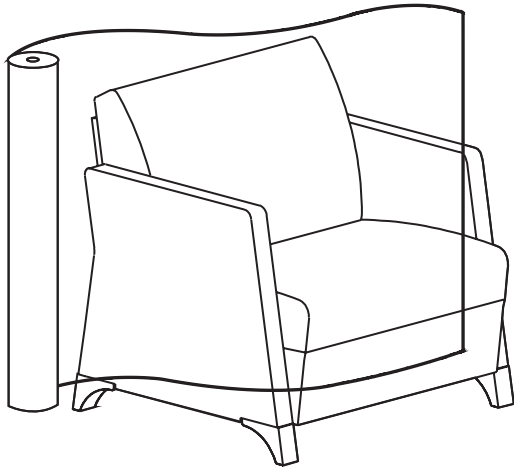


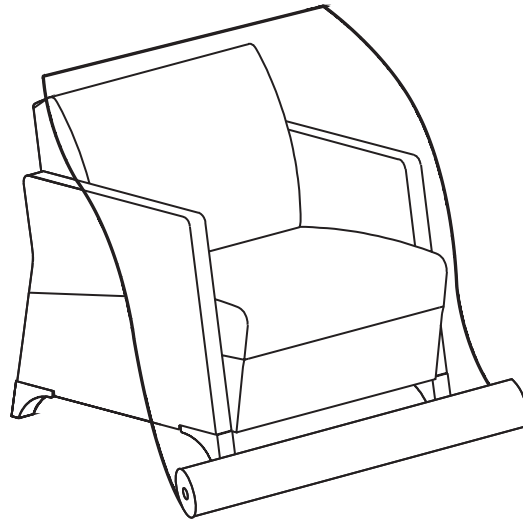
FABRIC REPEATS

The chart below represents a patterned fabric being selected with a repeat. When a multiple repeat is present, the calculation for the yardage needed is determined by adding the vertical and horizontal measurements together and then referring to the chart for the extra yardage required. For example; on a guest chair a 4" vertical repeat and a 5" horizontal repeat requires 18.5% if the pattern is directed across the roll, 23.5% if the pattern is directed up the roll and 28.5% for a 2-Way repeat.

RR
Across the Roll
Railroaded



UR
Up the Roll



Guest/Visitor and Tandem Seating

Repeat (in inches)	Cut Across The Roll (RR)	Cut Up The Roll (UR)	2-Way
1/4" - 3"	Add 7.5%	Add 12.5%	Add 12.5%
3 1/4" - 6"	Add 16.5%	Add 20%	Add 21.5%
6 1/4" - 9"	Add 18.5%	Add 23.5%	Add 28.5%
9 1/4" - 12"	Add 23%	Add 28%	Add 33.5%
12 1/4" - 15"	Add 25%	Add 30%	Add 35%
15 1/4" - 33"	Add 35%	Add 40%	Add 45%

Upholstered Lounge/Tandem Seating and Sleep Chairs/Sleep Sofas

Repeat (in inches)	Cut Across The Roll (RR)	Cut Up The Roll (UR)	2-Way
1/4" - 3"	Add 8%	Add 13%	Add 13%
3 1/4" - 6"	Add 17.5%	Add 22.5%	Add 22.5%
6 1/4" - 9"	Add 18.5%	Add 23.5%	Add 26.5%
9 1/4" - 15"	Add 20%	Add 25%	Add 30%
15 1/4" - 21"	Add 30%	Add 35%	Add 40%
21 1/4" - 33"	Add 35%	Add 40%	Add 45%

Recliners/Gliders

Repeat (in inches)	Cut Across The Roll (RR)	Cut Up The Roll (UR)	2-Way
1/4" - 3"	Add 9%	Add 14%	Add 14%
3 1/4" - 9"	Add 13.5%	Add 17%	Add 18.5%
9 1/4" - 15"	Add 20%	Add 25%	Add 30%
15 1/4" - 21"	Add 25%	Add 30%	Add 35%
21 1/4" - 33"	Add 30%	Add 35%	Add 40%