



General Product Information

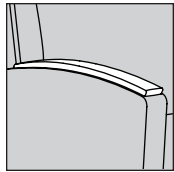
- Standard with fully upholstered arms & wood feet
- Seat and back frames are poplar plywood construction; joints are CNC cut/puzzle-jointed, glued, stapled together, and reinforced with corner blocks for superior strength
- European beech wood feet feature a fixed glide
- All feet options utilize common height & mounting hole for field adaptability
- 7.5 gauge steel sinuous seat springs
- Seat foam: 2.5 density foam that meets CAL 117 Fire Standards
- Back foam: 1.7 high resilience density foam that meets CAL 117 Fire Standards
- Arms are bolted to seat/back center sections & can be easily replaced in field if necessary

To Order, Specify

- Model Number
- Textile
- Finish
- Options

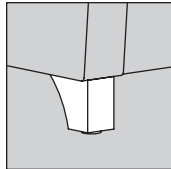
Available Options

ARM CAP OPTIONS		<i>See pg 2 for finishes</i>
U	Urethane	169
J1	Solid Surface - Group 1	689
J2	Solid Surface - Group 2	889
F	Fully Upholstered Arms	Standard

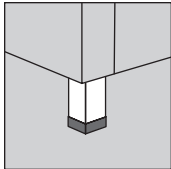


Arm Cap Profile

FEET OPTIONS		<i>See pg 2 for finishes</i>
WF	Wood Feet	Standard
MF	Metal Feet with Adjustable Glides	359
<i>*Standard in 211 Silver Frost finish</i>		



Wood Feet



Metal Feet

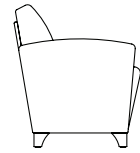
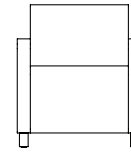
ADDITIONAL FEATURES & OPTIONS		
CAL	CAL TB133	See pg 9
Z	Multi Cover	Use Pricing for Highest Grade
MB	Moisture Barrier	See pg 11

DL10 - Lounge Chair

Dimensions

Overall			Seat		
W	D	H	W	D	H
28.25	30	33	22.5	19	18.5
			Back H	Arm H	
			15	25.5	

COM: 4.5 yd
Wt Cap: 350 lb
Unit Weight: 76 lb



DL10 Standard with Fully Upholstered Arms (Refer to pg 60 for arm cap options)

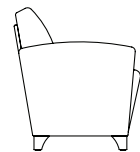
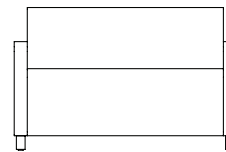
COM	Dillon/Carson	A ₅	B ₆	C ₇	D ₈	E ₉	F ₁₀	G ₁₁	H ₁₂	I ₁₃
1939	2059	2139	2269	2389	2569	2699	2959	3779	4079	4339

DL20 - Lounge Loveseat

Dimensions

Overall			Seat		
W	D	H	W	D	H
50.75	30	33	45	19	18.5
			Back H	Arm H	
			15	25.5	

COM: 6.5 yd
Wt Cap: 500 lb
Unit Weight: 113 lb



DL20 Standard with Fully Upholstered Arms (Refer to pg 60 for arm cap options)

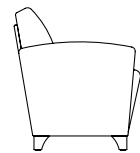
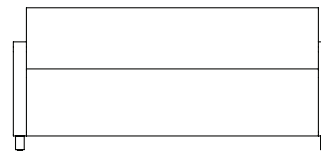
COM	Dillon/Carson	A ₅	B ₆	C ₇	D ₈	E ₉	F ₁₀	G ₁₁	H ₁₂	I ₁₃
2719	2859	3009	3159	3379	3619	3799	4159	5039	5269	5659

DL30 - Lounge Sofa

Dimensions

Overall			Seat		
W	D	H	W	D	H
72.75	30	33	67	19	18.5
			Back H	Arm H	
			15	25.5	

COM: 7.5 yd
Wt Cap: 750 lb
Unit Weight: 144 lb



DL30 Standard with Fully Upholstered Arms (Refer to pg 60 for arm cap options)

COM	Dillon/Carson	A ₅	B ₆	C ₇	D ₈	E ₉	F ₁₀	G ₁₁	H ₁₂	I ₁₃
3409	3599	3799	4029	4309	4649	4889	5379	6289	6699	6999